

DESCRIPTION

AMC MODEL SWN-218-2DR OPTIONS: 032, HPR1W, HS10NS, MMIC, LVT IS A REFLECTIVE, SINGLE POLE TWO THROW SWITCH WITH HIGH POWER AND HIGH SPEED DESIGNED TO OPERATE BETWEEN THE 0.3 TO 2 GHz FREQUENCY RANGE.

SPECIFICATIONS

- FREQUENCY RANGE: 0.3 TO 2 GHz
- INSERTION LOSS: 2.0 dB MAXIMUM
- ISOLATION: 50 dB MINIMUM
- VSWR: 1.5:1
- DELAY ON: 10 nSec MAXIMUM
- DELAY OFF: 10 nSec MAXIMUM
- POWER INPUT: 30 dBm (1 WATT) MAXIMUM @ 1 dB COMPRESSION
- CONTROL: TTL LOGIC "0" = J1-J2 ON
TTL LOGIC "1" = J1-J3 ON
- POWER SUPPLY: +5V @ 50 mA MAXIMUM
-5V @ 50 mA MAXIMUM
- CONNECTORS:
RF: SMA FEMALE
CONTROL: SOLDER PIN
- SIZE: 1.20" (L) x 1.00" (W) x 0.50" (H)
- WEIGHT: 1.5 OUNCE TYPICAL

OPTIONS:

- 032: 0.3 TO 2 GHz FREQUENCY RANGE
- HPR1W: HIGH POWER 1 WATT HANDLING
- HS10NS: HIGH SPEED 10 nSec SWITCHING SPEED
- MMIC: MMIC DESIGN
- LVT: LOW VIDEO TRANSIENTS

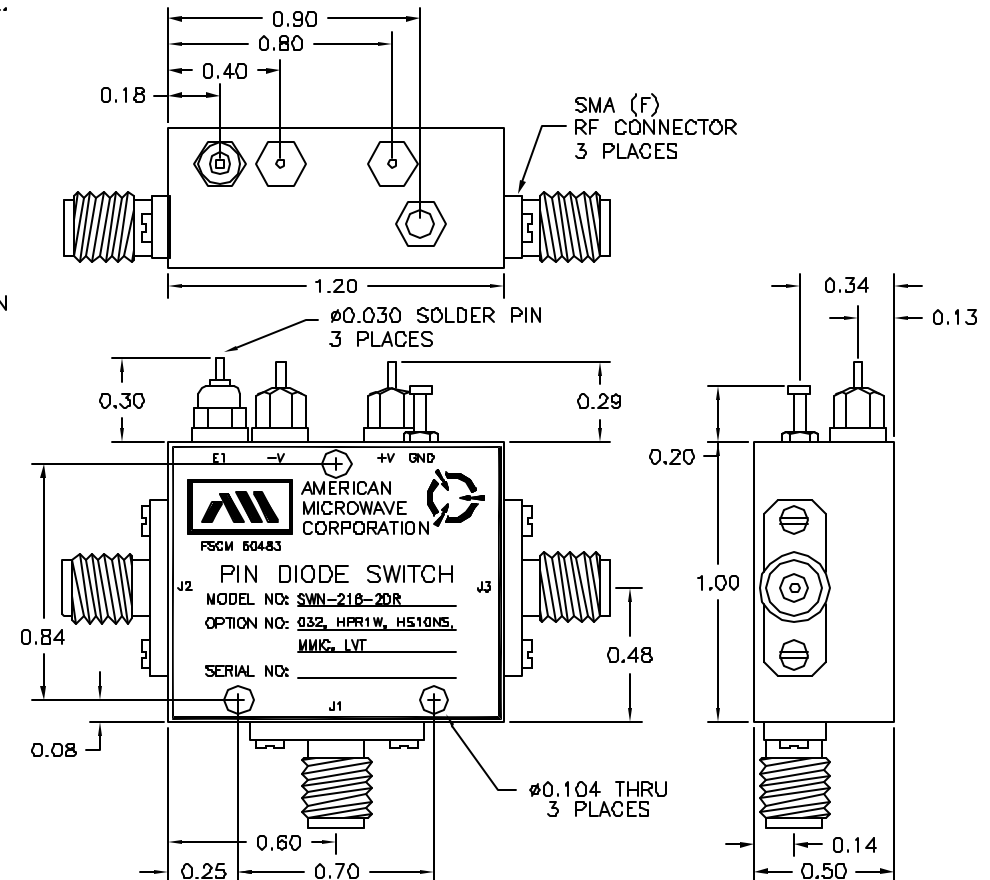
ENVIRONMENTAL RATINGS:

- TEMPERATURE: -55°C TO +85°C (OPERATING)
-65°C TO +125°C (STORAGE)
- HUMIDITY: MIL-STD-202F, METHOD 103B COND. B
- SHOCK: MIL-STD-202F, METHOD 213B COND. B
- VIBRATION: MIL-STD-202F, METHOD 204D COND. B
- ALTITUDE: MIL-STD-202F, METHOD 105C COND. B
- TEMPERATURE CYCLE: MIL-STD-202F, METHOD 107D COND. A

NOTE: SPECIFICATIONS WILL VARY OVER OPERATING TEMPERATURE
NOTE: THE ABOVE SPECIFICATIONS ARE SUBJECT TO CHANGE OR REVISION

ALL DIMENSIONS ARE IN INCHES
TOLERANCES:
XXX ±0.020
XXX ±0.010

REVISIONS				
ZONE	REV.	DESCRIPTION	DATE	APPROVED
-	-	ORIGINAL RELEASE JOB# 508199	9/15/05	



AMERICAN MICROWAVE CORPORATION

7311-G GROVE ROAD
FREDERICK, MARYLAND 21704 USA
TEL: 301-662-4700 FAX: 301-662-4938
WEBSITE: www.americanmicrowavecorp.com
E-MAIL: sales@americanmicrowavecorp.com
ISO 9001:2000 CERTIFIED

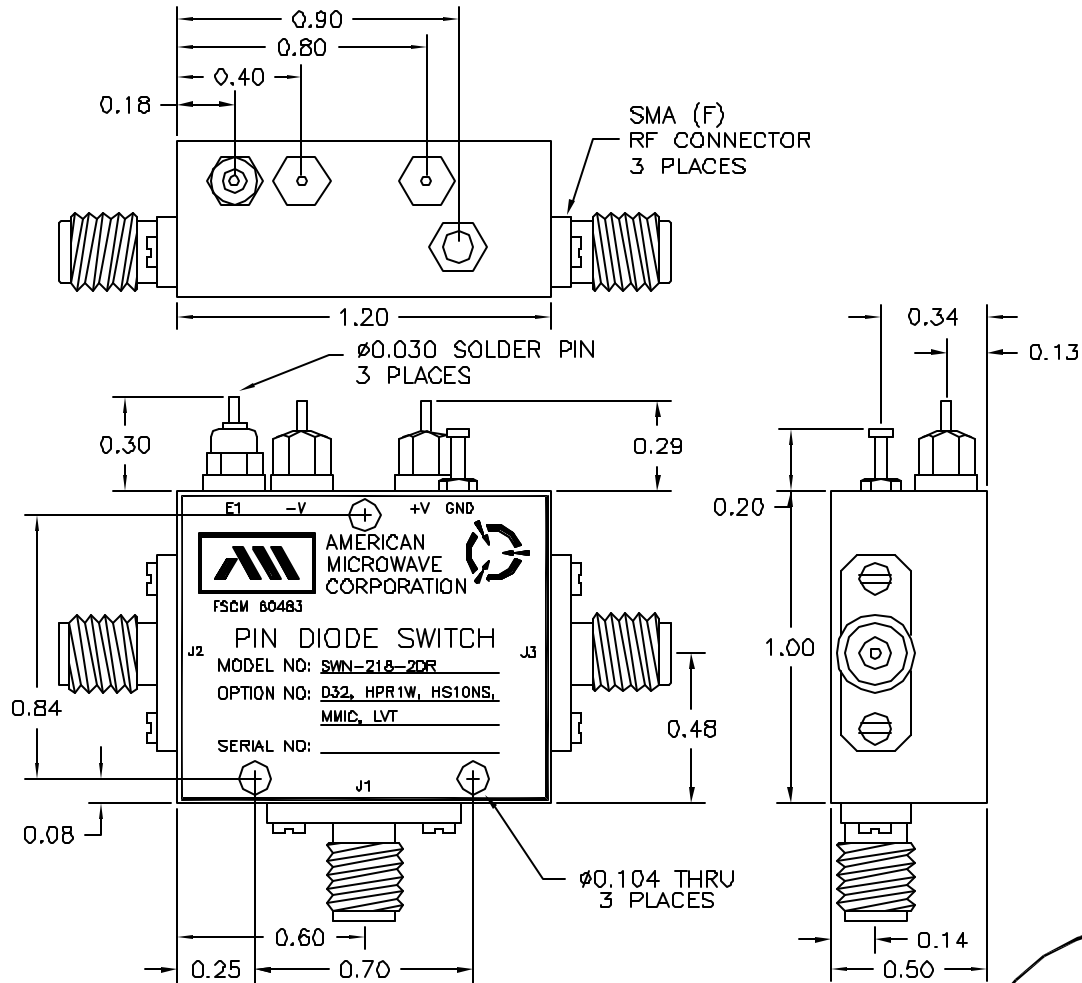


APPROVALS		DATE	TITLE		
DRAWN <i>FDJ</i>		9/15/05	PRODUCT FEATURE SWN-218-2DR		
CHECKED			OPTION: 032, HPR1W, HS10NS, MMIC, LVT 0.3-2 GHz, SINGLE POLE SINGLE THROW SWITCH		
ISSUED			SIZE	PSCM NO.	DWG NO.
			A	60483	100-7492
			SCALE N:S	SHEET 1 OF 4	

DESCRIPTION

AMC MODEL SWN-218-2DR OPTIONS: 032, HPR1W, HS10NS, MMIC, LVT IS A REFLECTIVE, SINGLE POLE TWO THROW SWITCH WITH HIGH POWER AND HIGH SPEED DESIGNED TO OPERATE BETWEEN THE 0.3 TO 2 GHz FREQUENCY RANGE.

REVISIONS				
ZONE	REV.	DESCRIPTION	DATE	APPROVED
	-	ORIGINAL RELEASE JOB# 508199	9/15/05	



MECHANICAL OUTLINE

AMERICAN MICROWAVE CORPORATION

7311-G GROVE ROAD
 FREDERICK, MARYLAND 21704 USA
 TEL: 301-662-4700 FAX: 301-662-4938
 WEBSITE: www.americanmicrowavecorp.com
 E-MAIL: sales@americanmicrowavecorp.com
 ISO 9001:2000 CERTIFIED



ALL DIMENSIONS ARE IN INCHES
 TOLERANCES:
 X.XX ±0.020
 X.XXX ±0.010

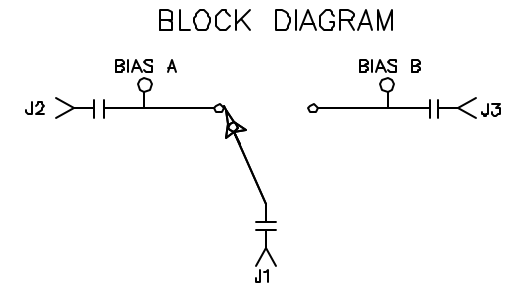
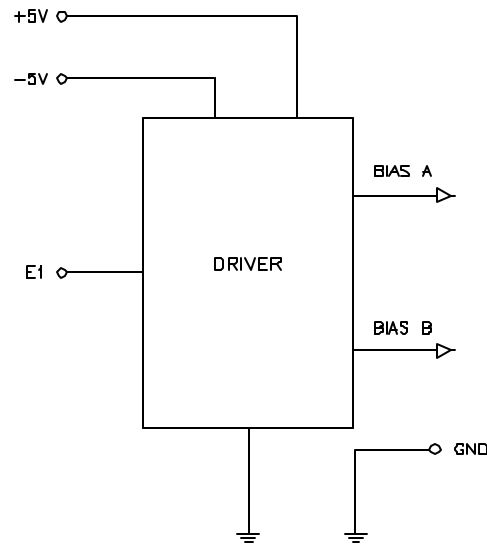
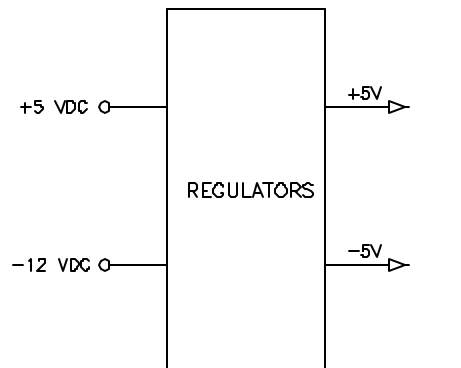
APPROVALS		DATE	TITLE		
DRAWN	<i>FDS</i>	9/15/05	MECHANICAL OUTLINE SWN-218-2DR		
CHECKED			OPTION: 032, HPR1W, HS10NS, MMIC, LVT 0.3-2 GHz, SINGLE POLE SINGLE THROW SWITCH		
ISSUED			SIZE	FSCM NO.	DWG NO.
			A	60483	100-7492
			SCALE	N:S	SHEET 2 OF 4

DESCRIPTION

AMC MODEL SWN-218-2DR OPTIONS: 032, HPR1W, HS10NS, MMIC, LVT IS A REFLECTIVE, SINGLE POLE TWO THROW SWITCH WITH HIGH POWER AND HIGH SPEED DESIGNED TO OPERATE BETWEEN THE 0.3 TO 2 GHz FREQUENCY RANGE.

REVISIONS				
ZONE	REV.	DESCRIPTION	DATE	APPROVED
	-	ORIGINAL RELEASE JOB# 508199	9/15/05	

FUNCTIONAL BLOCK DIAGRAM



AMERICAN MICROWAVE CORPORATION

7311-G GROVE ROAD
 FREDERICK, MARYLAND 21704 USA
 TEL: 301-662-4700 FAX: 301-662-4938
 WEBSITE: www.americanmicrowavecorp.com
 E-MAIL: sales@americanmicrowavecorp.com
 ISO 9001:2000 CERTIFIED



APPROVALS		DATE	TITLE		
DRAWN	<i>FDS</i>	9/15/05	FUNCTIONAL BLOCK DIAGRAM SWN-218-2DR		
CHECKED			OPTION: 032, HPR1W, HS10NS, MMIC, LVT 0.3-2 GHz, SINGLE POLE SINGLE THROW SWITCH		
ISSUED			SIZE	FSCHM NO.	DWG NO.
			A	60483	100-7492
			SCALE	N:S	SHEET 3 OF 4
					REV. -